

# BANANZA

## UHD[S]-Series Tubular Duct Furnaces

- 82% efficiency with use of tubular heat exchangers and inshot burners.
- Reliable ignition with direct spark ignition burners.
- Installation and operation flexibility with rear or top air and flue connections (Models UHD[S] 75 - 125 only).
- Helps reduce dirt build-up on burners and helps extend life of heat exchanger with separated combustion units.
- Longer life and less maintenance with optional stainless steel heat exchangers.
- Install downstream of refrigeration system with optional stainless steel heat exchangers and drain pan (Models UHD[S] 150-400 only).



● UHD[S] Models 75 - 125

● UHD[S] Models 150 - 400

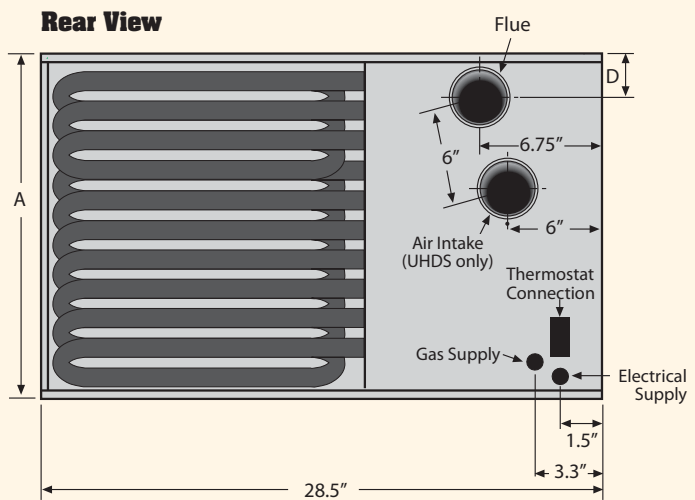
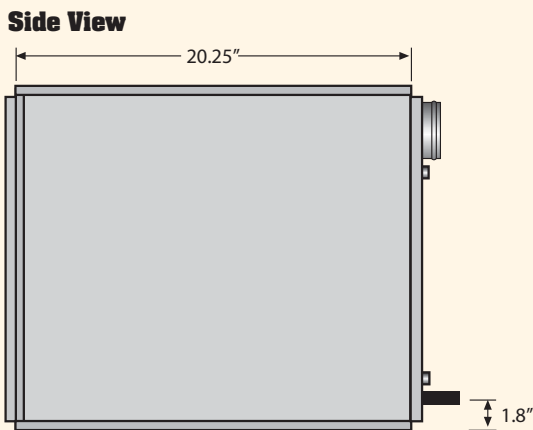
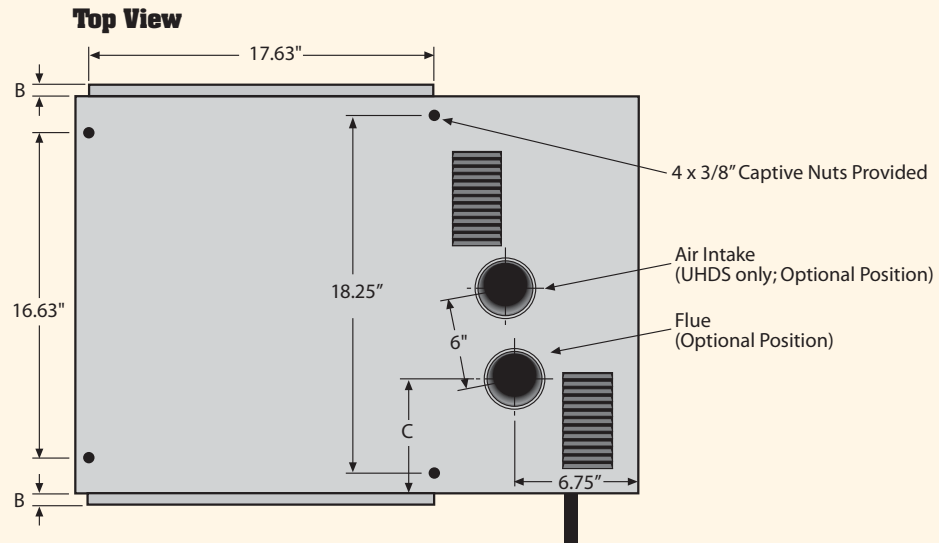


**1.800.255.3416**  
**www.bananza.com**



# BANANZA® UHD[S] 75 - UHD[S] 125

## Clearances and Dimension Data



### Clearances to Combustibles - Low Profile UHD[S] Range (Models 75 - 125)

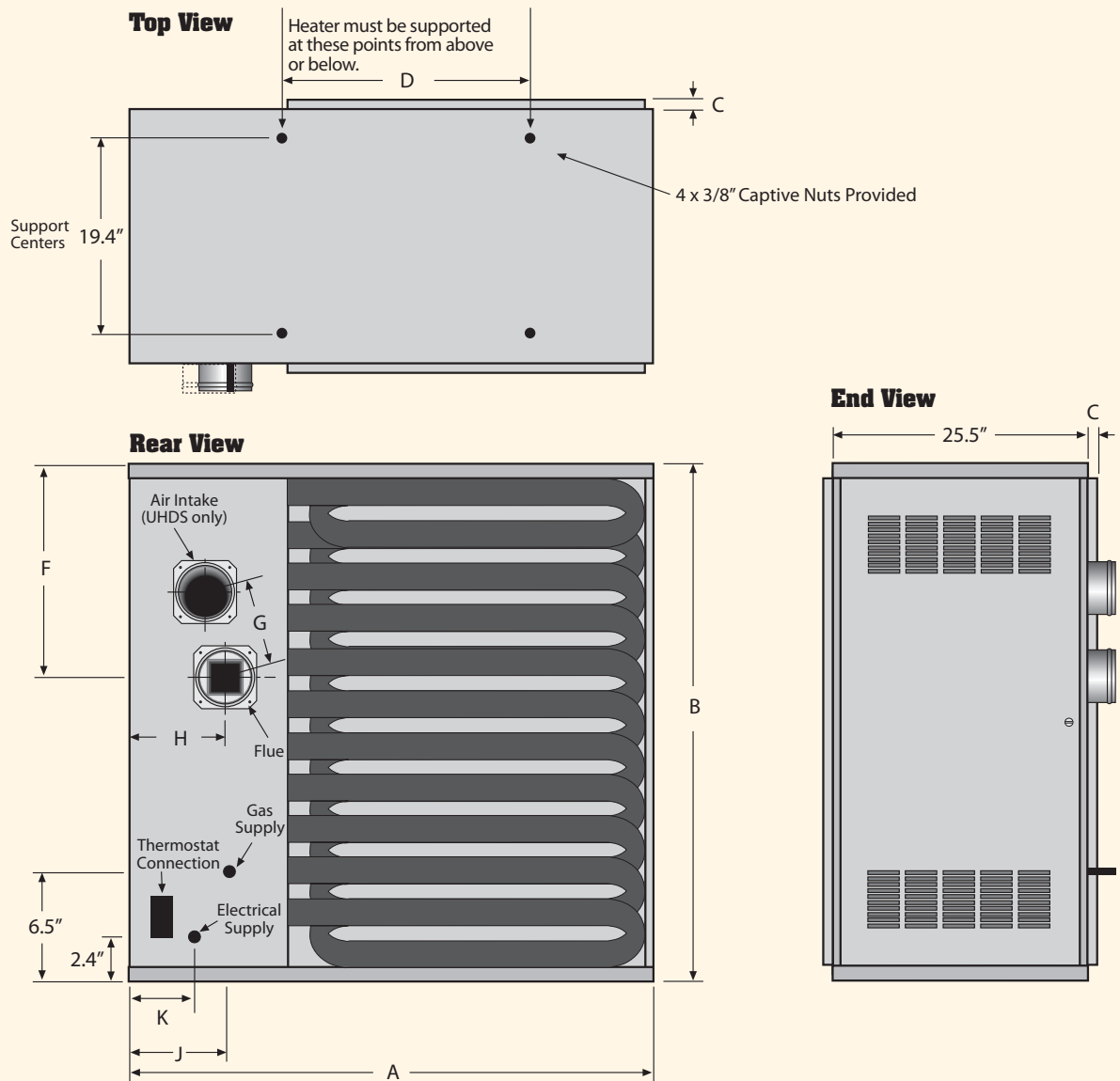
Above Heater	Below Heater	To Side of Heater	Access Side Door	To Flue
1"	1"	1"	18" Access Clearance	2"

### Dimension Data - Low-Profile UHD[S] Range (Models 75 - 125)

Model	75	100	125
'A' Height (in)	17.75	23	23
'B' Duct Connectors (in)	1.25	1.25	1.25
'C' Center of Flue (Top Option) (in)	5.2	6.9	6.9
'D' Center of Flue (in)	2.5	2.5	2.5

# BANANZA® UHD[S] 150 - UHD[S] 400

## Clearances and Dimension Data



### Clearances to Combustibles - Low Profile UHD[S] Range (Models 150 - 400)

Above Heater	Below Heater	To Side of Heater	Access Side Door	To Flue
6"	6"	6"	31" Access Clearance	2"

### Dimension Data - Standard UHD[S] Range (Models 150 - 400)

Model	150	175	200	225	250	300	350	400
'A' Width (in)	43	43	43	43	43	50	50	50
'B' Height (in)	27	27	35.25	35.25	35.25	43.5	43.5	43.5
'C' Duct Connectors (in)	1.25	1.25	1.25	1.25	1.25	1.25	1.25	1.25
'D' Support Spacing (in)	17.6	17.6	17.6	17.6	17.6	24.7	24.7	24.7
'F' Center of Flue (in)	9.5	9.5	17	17	17	13.6	13.6	13.6
'G' Flue Center to Air Intake Center (in)	6	6	6	6	6	7	7	7
'H' Position of Flue (in)	4.5	4.5	4.75	4.75	4.75	4.9	4.9	4.9
'J' Gas Inlet Position (in)	5.9	5.9	5.9	5.9	5.9	8.7	8.7	8.7
'K' Electrical Supply Position (in)	3.4	3.4	3.4	3.4	3.4	6.2	6.2	6.2

# BANANZA® UHD[S] - Series Technical Data

Model	75	100	125	150	175	200	225	250	300	350	400
Total Input (Btu/h) x (1000)	75	100	125	150	175	200	225	250	300	350	385
Total Output (Btu/h) x (1000)	61.5	82	102.5	123	143.5	164	184.5	205	246	288.6	315.7
Efficiency	82% - All Models										
Number of Burners	5	6	7	7	8	9	10	11	12	14	14
Gas Connection (in)	½	½	½	½	½	½	¾	¾	¾	¾	¾
Inlet Pressure (in wc) NG Min.	5										
LPG Propane Min.	12										
NG & LPG Propane Max.	14										
Electrical Supply	115 V / 60 Hz / 1 Ø - All Models										
Minimum Air Volume (CFM)	850	950	1020	1360	1400	2050	2100	2350	2700	3120	3420
Temperature Rise @ Minimum Air Volume (°F)	68	78	92	83	95	73	80	80	86	86	86
Heat Exchanger Pressure Drop @ Minimum Air Volume (in wc)	0.06	0.05	0.06	0.02	0.03	0.025	0.035	0.05	0.02	0.03	0.04
Maximum Air Volume (CFM)	2650	3660	4750	5800	6850	7750	8300	8850	10200	13600	14200
Temperature Rise @ Maximum Air Volume (°F)	22	22	20	20	20	20	20	22	23	22	22
Heat Exchanger Pressure Drop @ Maximum Air Volume (in wc)	0.36	0.55	0.98	0.16	0.29	0.163	0.253	0.35	0.27	0.48	0.53
Flue Size (in)	4 - All Models										
Air Intake (in)	4	4	4	4	4	4	4	4	5	5	5
Weight (lb)	81	92	97	191	211	239	249	254	325	345	345

## Installation Code and Annual Inspections:

All installations and service of BANANZA® equipment must be performed by a contractor qualified in the installation and service of equipment sold and supplied by Bananza and conform to all requirements set forth in the BANANZA® manuals and all applicable governmental authorities pertaining to the installation, service and operation of the equipment. To help facilitate optimum performance and safety, Bananza recommends that a qualified contractor annually inspect your BANANZA® equipment and perform service where necessary, using only replacement parts sold and supplied by Bananza.

**Further Information:** Applications, engineering and detailed guidance on systems design, installation and equipment performance is available through BANANZA® representatives. Please contact us for any further information you may require, including the Installation, Operation and Service Manual.

**This product is not for residential use.**

**This document is intended to assist licensed professionals in the exercise of their professional judgement.**

## Bananza

1100 Seven Mile Road NW  
Comstock Park, MI 49321  
Telephone: 616.726.8800  
Toll Free: 800.255.3416  
Fax: 616.726.8807

[www.bananza.com](http://www.bananza.com)

© 2008 Roberts-Gordon LLC

All rights reserved. No part of this work covered by the copyrights herein may be reproduced or copied in any form or by any means – graphic, electronic, or mechanical, including photocopying, recording, taping, or information storage and retrieval systems – without written permission of Roberts-Gordon LLC.