

BANANZA

GH-Series

Residential and Commercial Low-intensity Infrared Heater

- Approved for residential and commercial applications
- Compact U-tube design provides maximum inputs at minimum lengths
- Factory-assembled for easy installation
- One building penetration- balanced flue for both exhaust and combustion air
- Longer life provided by durable components
- Ceiling-mounted to free valuable work space below



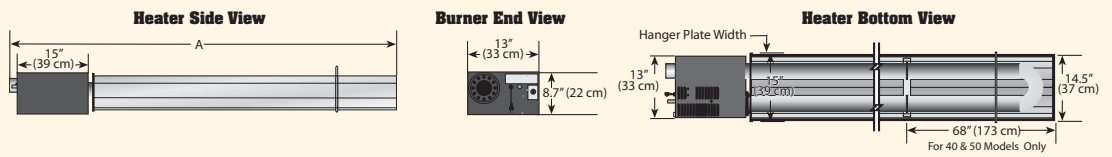
* Grille included on select models

CUT ENERGY
BILLS BY UP TO
50%
with BANANZA
www.bananza.com

1.800.255.3416
www.bananza.com



BANANZA® GH-Series

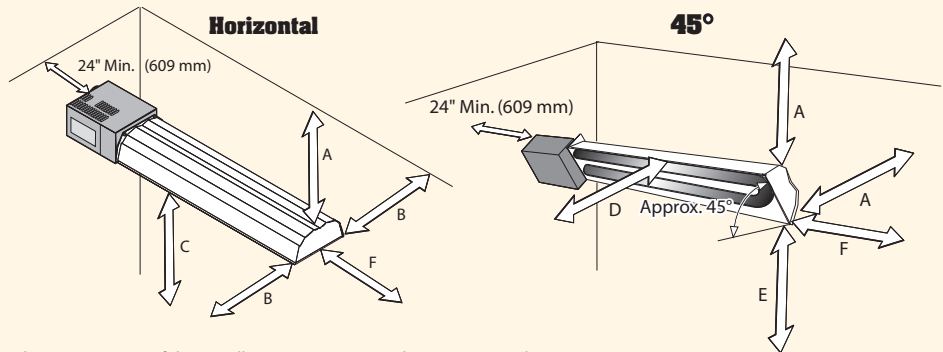


Model	CGTH-30	CGTH-40	CGTH-50
Overall Length (ft, in) A	8', 0"	11', 6"	11', 6"
Weights (lb)	85	96	96
Input (Btu/h) x (1,000)	30	40	50
Fuel	Natural Gas (NG) or Propane Gas (LP)		
Inlet Pressure (in wc) NG min.	5		
LPG Propane min.	11		
NG & LPG Propane max.	14		
Gas Connection	3/8" (3/8" Manual Shut-off Valve Included with Heater) NPT		
Minimum Mounting Height (ft)*	7' (Required Safe Distance from Combustibles Must be Maintained)		
Electrical Supply	120 V, 60 Hz, 1 Ø, 1 A (Connection - Cord with 3-Prong Molded Plug)		
Thermostat	Low Voltage, 24 Vac Dual Scale Included with Heater (120 Vac Optional) (Connection - Built-in Receptacle on Heater)		
Heat Exchanger Tubing	3" dia, 16 Gauge, Heat Treated ALUMI-THERM® Steel Tubing		
Exhaust Flue/Vent OD (in)	3" dia/5" dia (Included with Heater)		
Balanced Flue	Vent Collar and Vent Termination Included with Heater		
Flue Length (ft, in)	2', 6" Minimum; 10', 0" Maximum		
Reflector and End Caps	.024 Mill Finish Aluminum		
Ignition	Fully Automatic, Three Try, Direct Spark Electronic Ignition Control, 100% Shut-Off		
Approved As	Indoor Vented Overhead Room Heater		
CSA Standards	ANSI Z21.86 / CSA 2.32		
Warranty	Three-Year Limited (Refer to Installation, Operation and Service Manual for details)		
Options	Roof Venting Kit, 90° Elbow Kit, Wall Venting Kits		

*The minimum mounting height is 10 ft (3 m) for aircraft hangars and 8 ft (2.4) for public garages.

Required Safe Distance from Combustibles **(in)

Model	CGTH-30	CGTH-40	CGTH-50
A	4	4	4
B	16	18	20
C	36	48	48
D	28	30	32
E	34	34	36
F	6	6	6



** For complete installation, operation and service criteria, please see the current issue of the Installation, Operation and Service Manual.

***Clearances B, C and D can be reduced by 50% for locations 25 ft (7 m) or more downstream of the burner. For other mounting options and associated clearances, complete installation, operation and service criteria, please see the current issue of the Installation, Operation and Service Manual.

Important Notice:

The equipment described in this Data Sheet is suitable for most commercial and industrial heating applications. However, in certain environments, particularly where there is a chlorinated atmosphere (e.g. near degreasing plant or other solvent processes) or a particularly dusty atmosphere, specialist advice should be sought at the design stage. Roberts-Gordon reserves the right to alter product specification details without notice.

Installation Code and Annual Inspections:

All installations and service of BANANZA® equipment must be performed by a contractor qualified in the installation and service of equipment sold and supplied by Bananza and conform to all requirements set forth in the BANANZA® manuals and all applicable governmental authorities pertaining to the installation, service and operation of the equipment. To help facilitate optimum performance and safety, Bananza recommends that a qualified contractor annually inspect your BANANZA® equipment and perform service where necessary, using only replacement parts sold and supplied by Bananza.

Further Information: Applications, engineering and detailed guidance on systems design, installation and equipment performance is available through BANANZA® representatives. Please contact us for any further information you may require, including the Installation, Operation and Service Manual.

This product is not for residential use.

This document is intended to assist licensed professionals in the exercise of their professional judgement.

Bananza

1100 Seven Mile Road NW
Comstock Park, MI 49321
Telephone: 616.726.8800
Toll Free: 800.255.3416
Fax: 616.726.8807

© 2008 Roberts-Gordon LLC

All rights reserved. No part of this work covered by the copyrights herein may be reproduced or copied in any form or by any means – graphic, electronic, or mechanical, including photocopying, recording, taping, or information storage and retrieval systems – without written permission of Roberts-Gordon LLC.